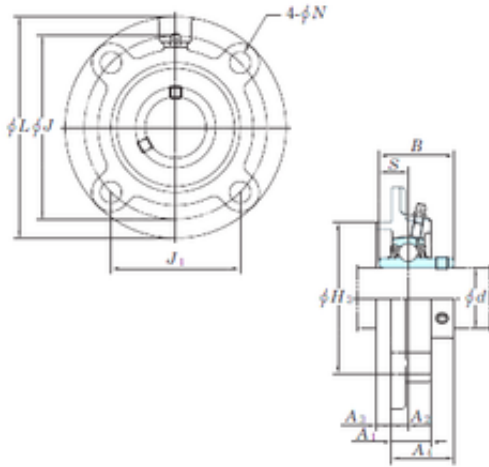




BEARING BOWER CORP.

KOYO UCFCX15-48E bearing units



Bearing No. UCFCX15-48E

Bore Diameter	76,2 mm
d	76,2 mm
H3	161,925 mm
A4	61,3 mm
A1	35 mm
B	82,6 mm
J	190 mm
L	222 mm
N	19 mm
S	33,3 mm
Bolt (G)	M16
A2	12 mm
A3	22 mm
J1	134,3 mm
Weight	8 Kg
Basic dynamic load rating (C)	72,7 kN
Basic static load rating (C0)	53 kN

UCFCX15-48E Bearing 2D drawings and 3D CAD models