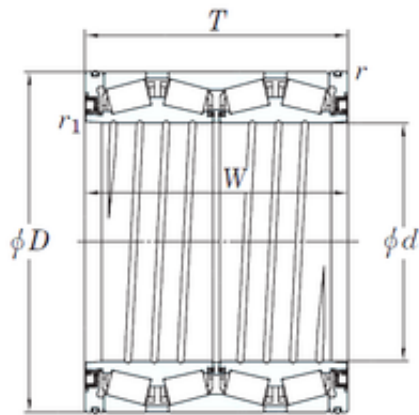




BEARING BOWER CORP.

KOYO 47TS392725-1 tapered roller bearings



Bearing No. 47TS392725-1

Size	195x270x250 mm
Bore Diameter	195 mm
Outer Diameter	270 mm
Width	250 mm
d	195 mm
D	270 mm
T	250 mm
r min.	2,5 mm
r1 min.	1 mm
W	250 mm
Weight	43,6 Kg
Basic dynamic load rating (C)	1420 kN
Basic static load rating (C0)	3550 kN
Calculation factor (e)	0,4
Calculation factor (Y2)	1,68

47TS392725-1 Bearing 2D drawings and 3D CAD models