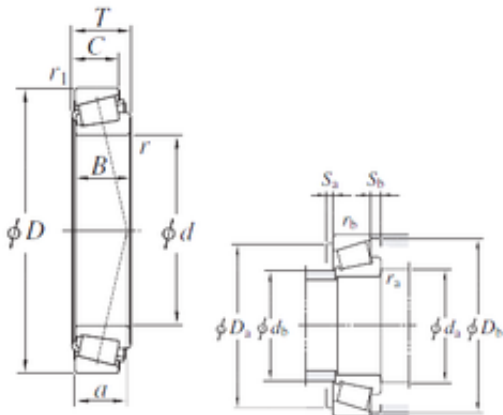




BEARING BOWER CORP.

220 mm x 340 mm x 76 mm KOYO 32044JR tapered roller bearings

Bearing No. 32044JR



32044JR Bearing 2D drawings and 3D CAD models

Size	220x340x76 mm
Bore Diameter	220 mm
Outer Diameter	340 mm
Width	76 mm
d	220 mm
D	340 mm
T	76 mm
B	76 mm
C	57 mm
a	72,8 mm
r min.	4 mm
r1 min.	3 mm
r2 min.	3 mm
da min.	238 mm
da max	243 mm
Da min	300 mm
Da max.	326 mm
db max.	243 mm
Db min.	326 mm
ra max.	3 mm
rb max.	2,5 mm
Db	326 mm
Weight	25,2 Kg
Basic dynamic load rating (C)	894 kN
Basic static load rating (C0)	1620 kN



BEARING BOWER CORP.

(Grease) Lubrication Speed	940 r/min
(Oil) Lubrication Speed	1300 r/min
Calculation factor (e)	0,43
Calculation factor (Y0)	0,77
Category	Bearings
Inventory	0.0
Manufacturer Name	KOYO
Minimum Buy Quantity	N/A
Weight / Kilogram	26.568
Product Group	B04334
Bearing No.	32044JR
r(min)	4
r1(min)	3
Cr	1120
C0r	1620
Cu	175
Grease lub.	940
Oil lub.	1300
a	72.8 mm
da(min)	238
db(max)	243
Da(max)	326
Da(min)	300
Db(min)	326
Sa(min)	12
Sb(min)	19
ra(max)	3
rb(max)	2.5
e	0.43
Y1	1.39
Y0	0.77
(Refer.) Mass(kg)	25.2



BEARING BOWER CORP.