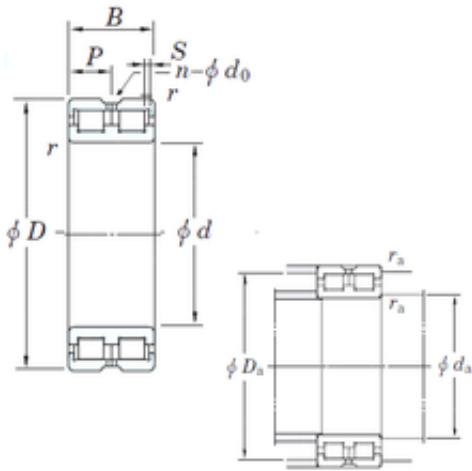




# BEARING BOWER CORP.



## 440 mm x 600 mm x 160 mm KOYO DC4988VW cylindrical roller bearings

Bearing No. DC4988VW

DC4988VW Bearing 2D drawings and 3D CAD models

Size	440x600x160 mm
Bore Diameter	440 mm
Outer Diameter	600 mm
Width	160 mm
d	440 mm
D	600 mm
B	160 mm
C	160 mm
n	8 mm
p	80 mm
r min.	4 mm
S	7 mm
da min.	458 mm
Da max.	582 mm
ra max.	3 mm
Weight	139 Kg
Basic dynamic load rating (C)	2 970 kN
Bearing No.	DC4988VW
r(min)	4
Cr	2970
C0r	7390
S	7 mm
P	80
n(qty)	8
do	8



## BEARING BOWER CORP.

da(min)	458
Da(max)	582
ra(max)	3
(Refer.)Mass(Fixed side)(kg)	137