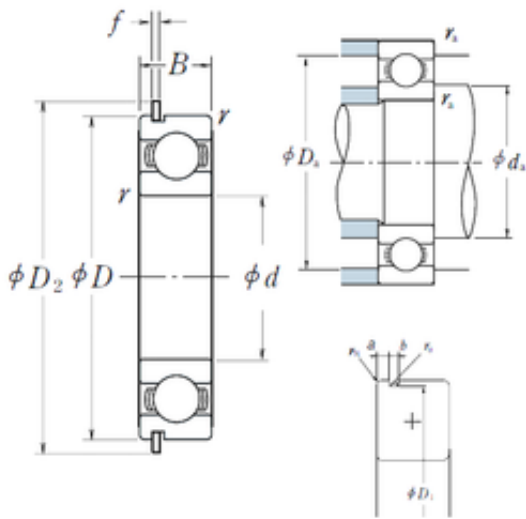




BEARING BOWER CORP.

105 mm x 130 mm x 13 mm NSK 6821NR deep groove ball bearings

Bearing No. 6821NR



6821NR Bearing 2D drawings and 3D CAD models

| | |
|-------------------------------|---------------|
| Size | 105x130x13 mm |
| Bore Diameter | 105 mm |
| Outer Diameter | 130 mm |
| Width | 13 mm |
| d | 105 mm |
| D | 130 mm |
| B | 13 mm |
| C | 13 mm |
| rn | 0,5 mm |
| a | 2,1 mm |
| b | 1,3 mm |
| f | 1,12 mm |
| r min. | 1 mm |
| r0 max. | 0,4 mm |
| D1 | 127,6 mm |
| D2 | 135,7 mm |
| da min. | 110 mm |
| da max | 110,5 mm |
| Da max. | 125 mm |
| ra max. | 1 mm |
| Weight | 0,324 Kg |
| Basic dynamic load rating (C) | 19,8 kN |
| Basic static load rating (C0) | 23,9 kN |
| (Grease) Lubrication Speed | 4 800 r/min |
| (Oil) Lubrication Speed | 5 600 r/min |



BEARING BOWER CORP.

| | |
|------------|---------------|
| SRI | 3.7 |
| hidYobi | 6821NR |
| LangID | 1 |
| ro | 0.4 |
| D_ | 130 |
| SREX | 0.02 |
| B_ | 13 |
| da min | 110 |
| hidTable | ecat_NS RDGB |
| Oil rpm | 5600 |
| SRE | 3.7 |
| Cy | 2.9 |
| mass | 0.324 |
| GRS rpm | 4800 |
| ra | 1 |
| SRIX | 0.02 |
| D_a | 125 |
| SRIN | -0.02 |
| C0 | 23.9 |
| fo | 17.4 |
| SREN | -0.02 |
| DE_ | 124.644 |
| Prod_Type3 | DGBB_SR_NR_OT |
| DA_ | 7.144 |
| bomp | 0 |
| Z_ | 27 |
| yobi | 6821NR |
| Dx | 137 |
| C_conv | 19800 |
| ALPHA_ | 0 |
| SDM_ | 117.5 |
| r | 1 |
| | |



BEARING BOWER CORP.

| | |
|------|---------|
| KBRG | 6101 |
| SBRG | 18 |
| DI_ | 110.356 |