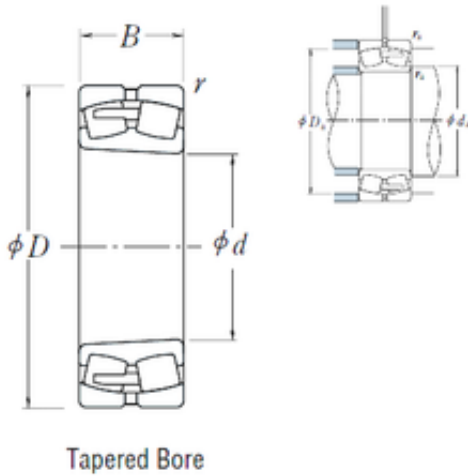




BEARING BOWER CORP.

180 mm x 380 mm x 126 mm NSK
22336CAKE4 spherical roller bearings

Bearing No. 22336CAKE4



22336CAKE4 Bearing 2D drawings and 3D CAD models

Size	180x380x126 mm
Bore Diameter	180 mm
Outer Diameter	380 mm
Width	126 mm
d	180 mm
D	380 mm
B	126 mm
C	126 mm
r min.	4 mm
da min.	198 mm
Da min	322 mm
Da max.	362 mm
ra max.	3 mm
Weight	67 Kg
Basic dynamic load rating (C)	1740 kN
Basic static load rating (C0)	2340 kN
(Grease) Lubrication Speed	950 r/min
(Oil) Lubrication Speed	1200 r/min
Calculation factor (e)	0,34
Calculation factor (Y0)	1,9
Calculation factor (Y2)	2,9