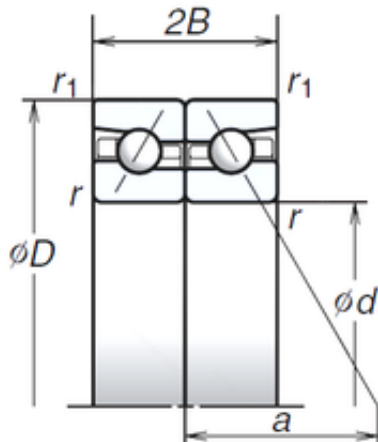




BEARING BOWER CORP.

75 mm x 115 mm x 18 mm NSK 75BTR10S
angular contact ball bearings



Bearing No. 75BTR10S

Size	75x115x18 mm
Bore Diameter	75 mm
Outer Diameter	115 mm
Width	18 mm
d	75 mm
D	115 mm
B	18 mm
C	18 mm
Angle (°)	40 °
a	48,4 mm
r min.	1,1 mm
r1 min.	0,6 mm
2B	36 mm
Weight	0,634 Kg
Basic dynamic load rating (C)	32,5 kN
Basic static load rating (C0)	65,5 kN
(Grease) Lubrication Speed	6 900 r/min
(Oil) Lubrication Speed	9 000 r/min

75BTR10S Bearing 2D drawings and 3D CAD models