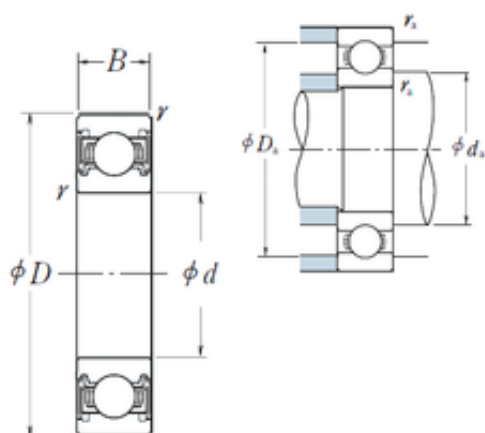




BEARING BOWER CORP.



95 mm x 120 mm x 13 mm NSK 6819VV deep groove ball bearings

Bearing No. 6819VV

6819VV Bearing 2D drawings and 3D CAD models

Size	95x120x13 mm
Bore Diameter	95 mm
Outer Diameter	120 mm
Width	13 mm
d	95 mm
D	120 mm
B	13 mm
C	13 mm
r min.	1 mm
da min.	100 mm
da max	101,5 mm
Da max.	115 mm
ra max.	1 mm
Weight	0,297 Kg
Basic dynamic load rating (C)	19,3 kN
Basic static load rating (C0)	22 kN
(Grease) Lubrication Speed	5 000 r/min
Category	Single Row Ball Bearings
Inventory	0.0
Manufacturer Name	NSK
Minimum Buy Quantity	N/A
Weight / Kilogram	0.33
EAN	0029176376795
Product Group	B00152
Enclosure	2 Seals



BEARING BOWER CORP.

Precision Class	ABEC 1 ISO P0
Maximum Capacity / Filling Slot	No
Rolling Element	Ball Bearing
Snap Ring	No
Internal Special Features	No
Cage Material	Steel
Enclosure Type	Non-Contact Seal
Internal Clearance	C0-Medium
Inch - Metric	Metric
Long Description	95MM Bore; 120MM Outside Diameter; 13MM Outer Race Width; 2 Seals; Ball Bearing; ABEC 1 ISO P0; No Filling Slot; No Snap Ring; No Internal Special Features; C0-Medium Internal Clearance; Steel Cage;
Other Features	Deep Groove Rubber Seal
Category	Single Row Ball Bearing
UNSPSC	31171504
Harmonized Tariff Code	8482.10.50.68
Noun	Bearing
Keyword String	Ball
Manufacturer URL	http://www.nskamericas.com
Weight / LBS	0.6549
Outer Race Width	0.512 Inch 13 Millimeter
Outside Diameter	4.724 Inch 120 Millimeter
Bore	3.74 Inch 95 Millimeter
Inner Race Width	0 Inch 0 Millimeter
SRI	3.7
hidYobi	6819VV
LangID	1



BEARING BOWER CORP.

D_	120
SREX	0.02
B_	13
da min	100
hidTable	ecat_NSRDGB
SRE	3.7
mass	0.297
GRS rpm	5000
ra	1
SRIX	0.02
D_a	115
SRIN	-0.02
C0	22
fo	17.2
SREN	-0.02
DE_	114.644
Prod_Type3	DGBB_SR_VV
DA_	7.144
bomp	0
Z_	25
yobi	6819VV
C_conv	19300
ALPHA_	0
SDM_	107.5
r	1
KBRG	6151
SBRG	18
DI_	100.356